



TECH TO INDUSTRY

# PANEL PC SEYPOS K75C



500 nits



IP66



WiFi



MSR

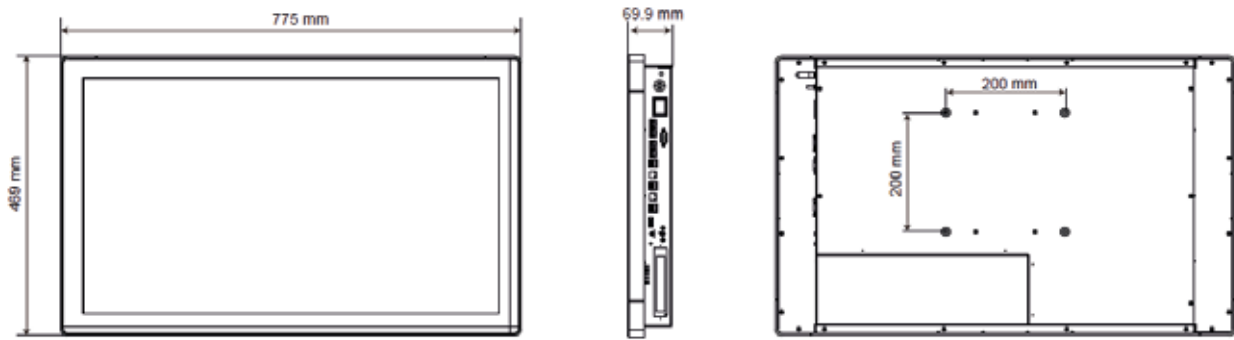


DEVICE BOX



## Features

- 32" True-Flat PCAP Touch
- Intel Skylake S Processor
- Front IP65
- WiFi + BT Available
- MSR Available
- Device Box (Smart IC Card Reader, RFID, Scanner, Line-out, Mic-in) Available



# Specification

Motherboard	Type Processor Chipset System Memory Memory Socket Graphic Engine	D85S Intel Skylake S CPU Intel Q170 DDR3L 1600MHz (max. 16G) 2x SO-DIMM Intel HD Graphic
LCD Touch Panel	LCD Size Brightness Resolution Touch Screen	32" (16:9 ratio) 500 nits 1920 x 1080 True-Flat PCAP Touch
Storage Device	HDD/ SSD Flash Memory	1x 2.5" SATA SATA Slim SSD 8G/ 16G/ 32G/ 64G (Option)
Expansion	Mini PCI-E Socket	1
External I/O Ports	USB Serial Port LAN Audio Jack VGA DVI	4x USB3.0, 2x USB2.0 3x RS232, 1x RS232/422/485 2x GbE 1x Line-out, 1x Mic-in 1x DB15 1
Audio	Internal Speaker	2x 3W
Power	Power Input	100 ~ 240VAC, 50/60Hz
Peripheral (Option)	WiFi + BT  MSR Device Box	802.11 b/g/n WLAN card + BT 4.0  3-Track MSR (USB) Smart IC Card Reader, RFID, Scanner, Line-out, Mic-in
Certificate	EMC & Safety	FCC Class A, CE Mark, LVD
Environment	Ventilation Dust & Water Proof Operating Temperature Storage Temperature Humidity	Fan Front IP65 0°C ~ 35°C (32°F ~ 95°F) (Still Air) -20°C ~ 60°C (-4°F ~ 140°F) 20% ~ 85% RH non-condensing
Dimension (WxDxH)		775 x 69.9 x 469 mm (30.5" x 2.8" x 18.5")
Weight		18 kg ( 39.7 lbs )
Mounting		VESA Mount 200 x 200
OS Supported		Windows 7 (64bit), POSReady 7 (64bit), Windows 8.1 (64bit), Windows Embedded 8.1 Industry (64bit), Windows 10 (64bit), Windows 10 IoT Enterprise (64bit), Linux